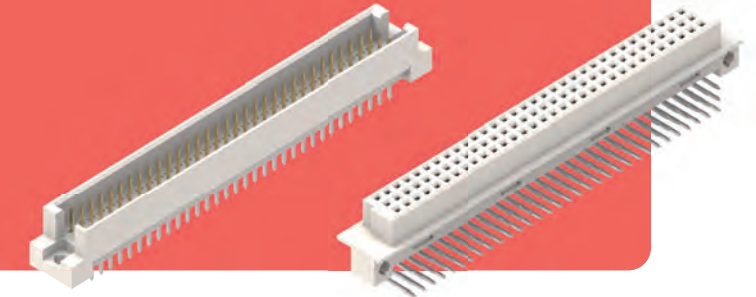


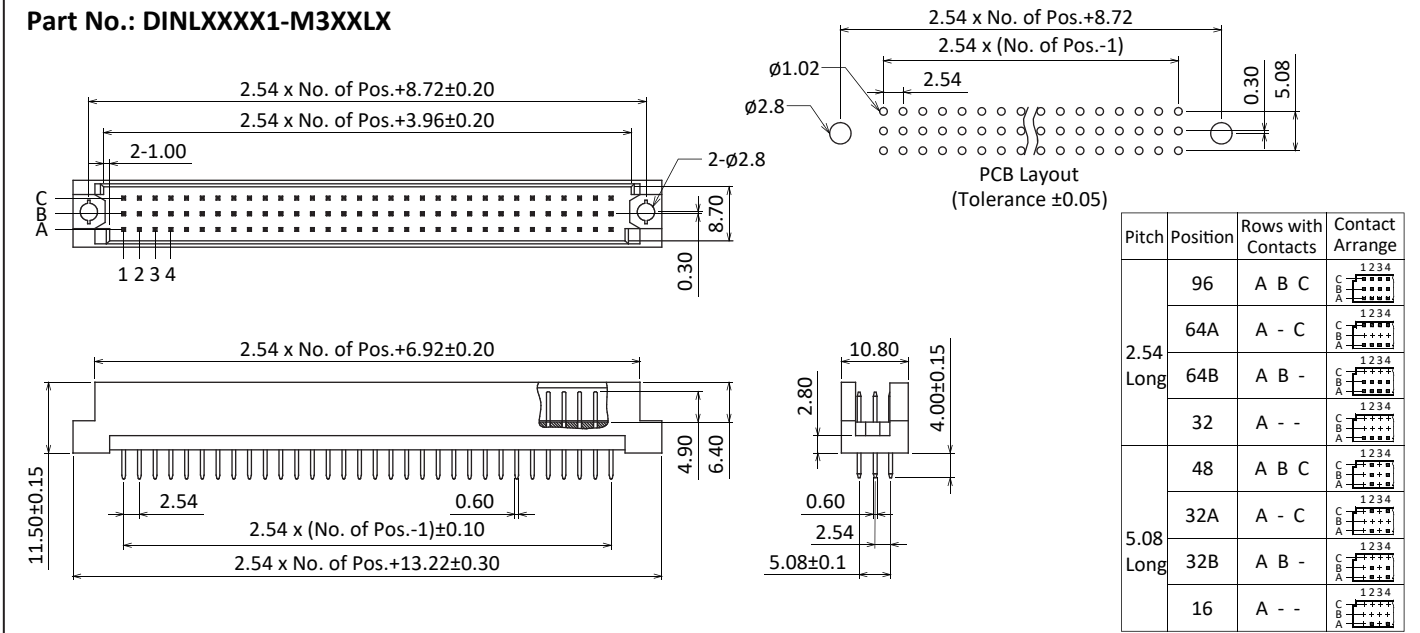
DIN 41612

Current Rate: 2.0A
 Dielectric Voltage: 1000V AC for one minute
 Insulation Resistance: 1000MΩ Min.
 Contact Resistance: 30mΩ Max.
 Material Contact: Copper Alloy, Gold / Tin
 Material Insulator: PBT, UL94V-0
 Operating Temperature: -40°C~+105°C



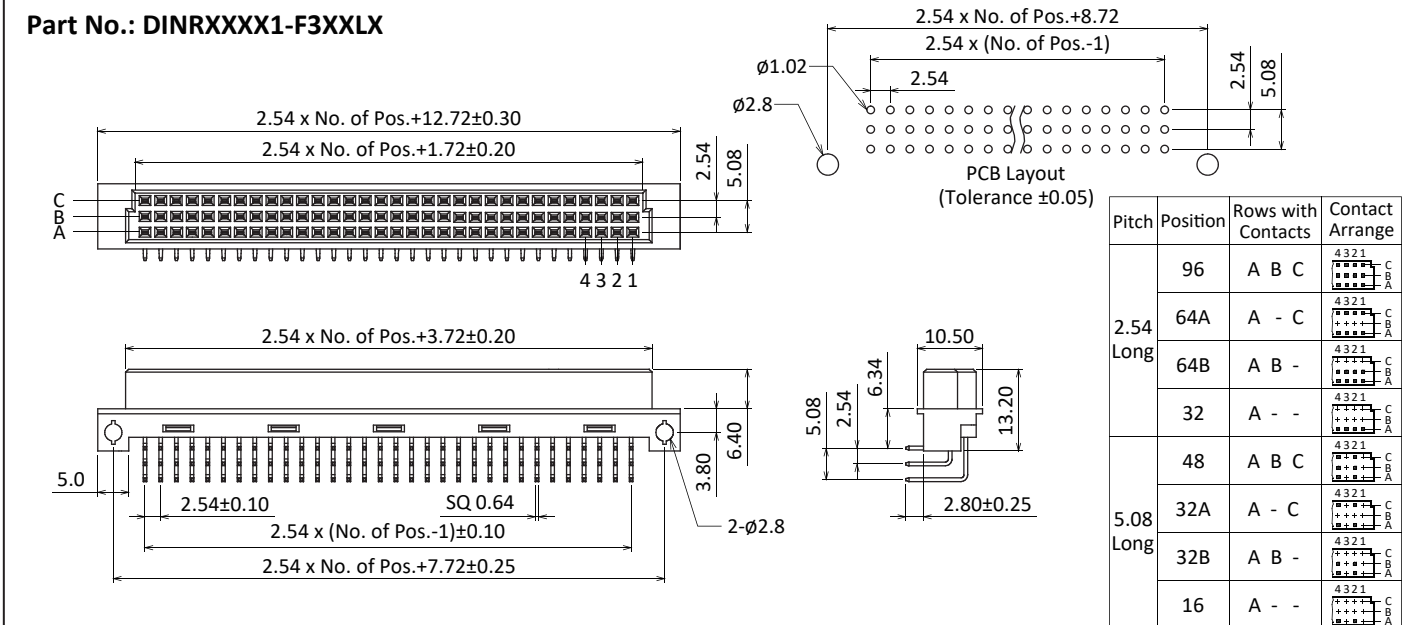
DIN 41612 Male 3 Row Vertical R Type

Part No.: DINLXXX1-M3XXLX



DIN 41612 Female 3 Row Right Angle R Type

Part No.: DINRXXX1-F3XXLX



Order Information

DIN X XX XX 1 - X 3 XX L X

L: Vertical
 R: Right Angle

25: 2.54mm
 50: 5.08mm

S0: Selective Flash
 S4: Selective 15u"
 S5: Selective 30u"

RoHS + PBT

M: Male
 F: Female

3: 3 Row

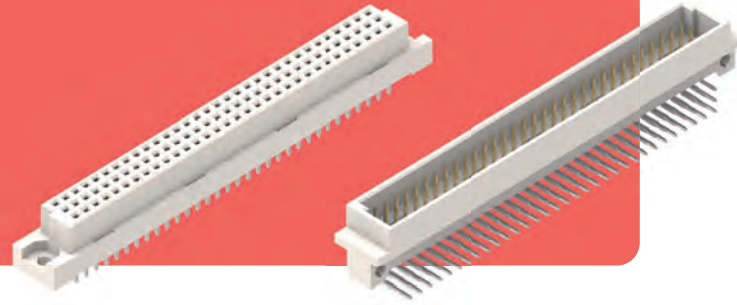
No. of Position

L: Long Type

1: W/O Boardlock
 2: With Boardlock

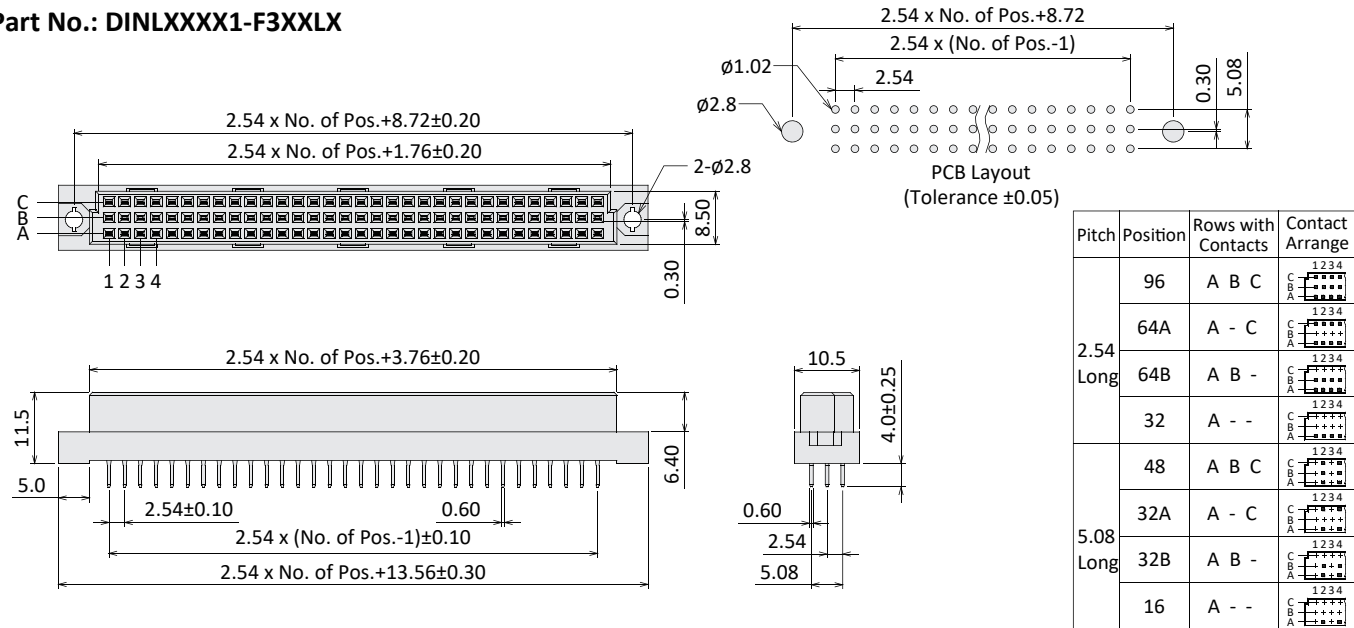
DIN 41612

Current Rate: 2.0A
 Dielectric Voltage: 1000V AC for one minute
 Insulation Resistance: 1000MΩ Min.
 Contact Resistance: 30mΩ Max.
 Material Contact: Copper Alloy, Gold / Tin
 Material Insulator: PBT, UL94V-0
 Operating Temperature: -40°C~+105°C



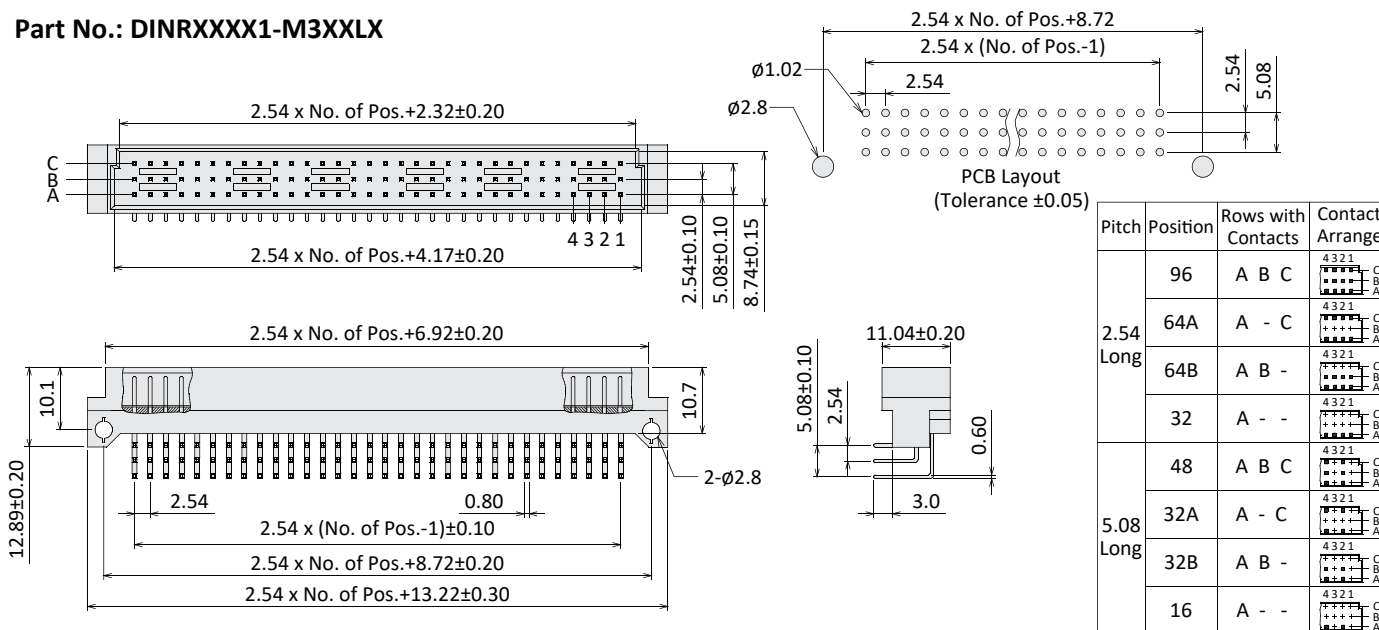
DIN 41612 Female 3 Row Vertical C Type

Part No.: DINLXXX1-F3XXLX



DIN 41612 Male 3 Row Right Angle C Type

Part No.: DINRXXX1-M3XXLX



Order Information

DIN X XX XX 1 - X 3 XX L X

L: Vertical
R: Right Angle

25: 2.54mm
50: 5.08mm

S0: Selective Flash
S4: Selective 15u"
S5: Selective 30u"

RoHS + PBT

F: Female
M: Male

3: 3 Row

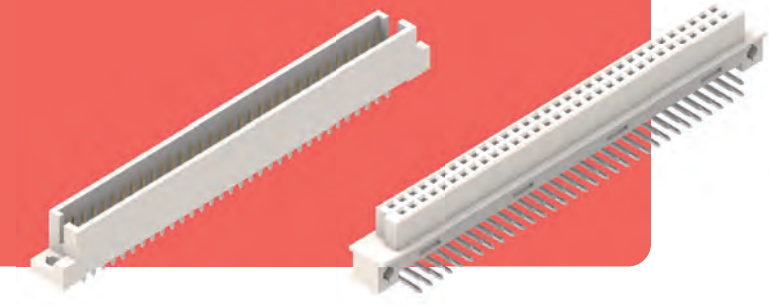
No. of Position

L: Long Type

1: W/O Boardlock
2: With Boardlock

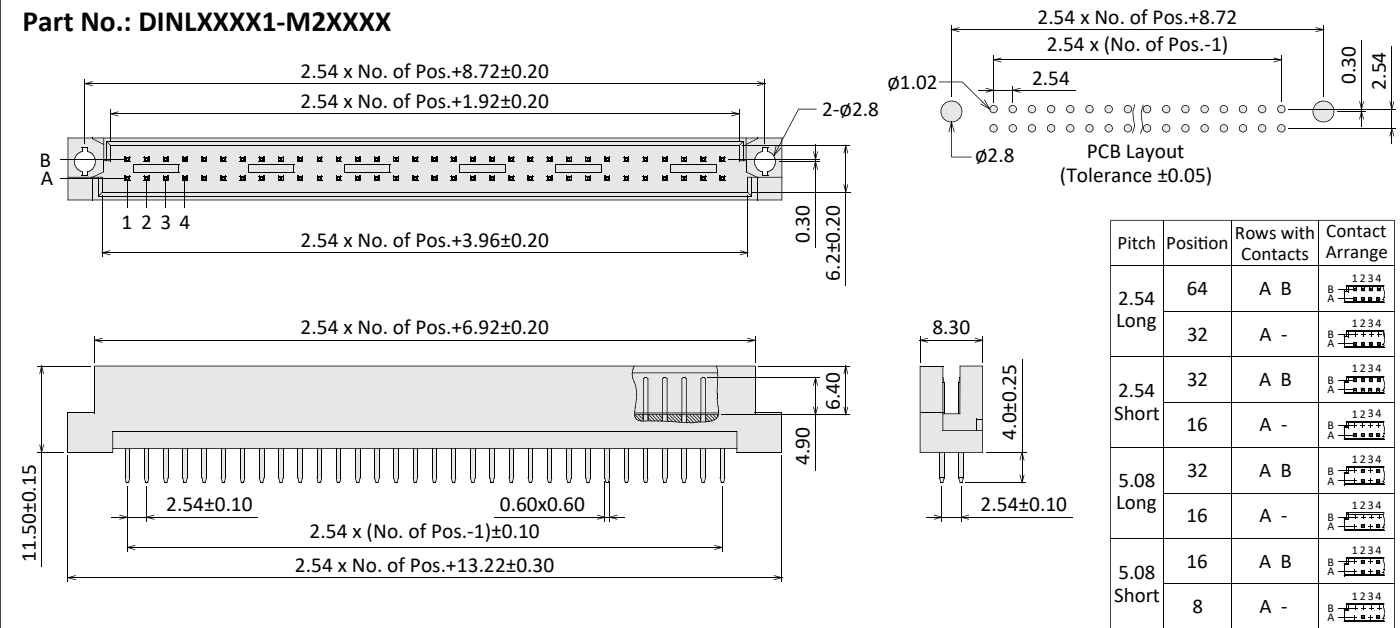
DIN 41612

Current Rate: 2.0A
 Dielectric Voltage: 1000V AC for one minute
 Insulation Resistance: 1000MΩ Min.
 Contact Resistance: 30mΩ Max.
 Material Contact: Copper Alloy, Gold / Tin
 Material Insulator: PBT, UL94V-0
 Operating Temperature: -40°C~+105°C



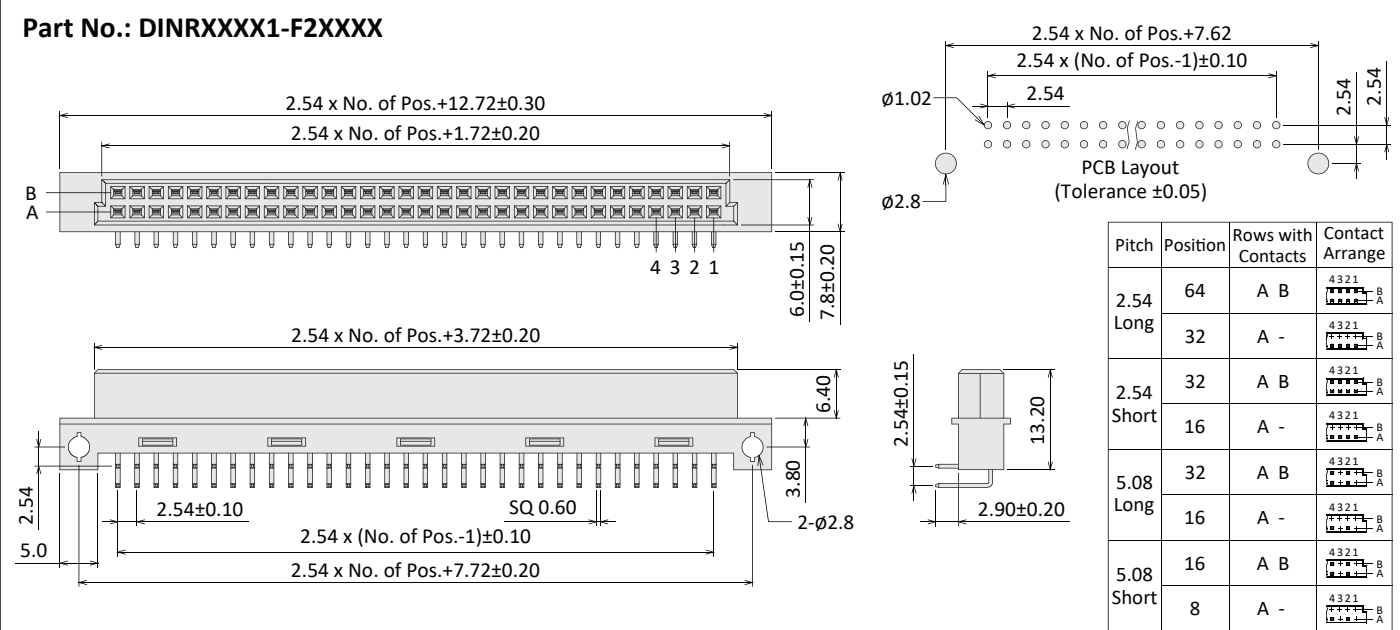
DIN 41612 Male 2 Row Vertical Q Type

Part No.: DINLXXX1-M2XXXX



DIN 41612 Female 2 Row Right Angle Q Type

Part No.: DINRXXX1-F2XXXX



Order Information

DIN X XX XX 1 - X 2 XX X X

L: Vertical
R: Right Angle

25: 2.54mm
50: 5.08mm

S0: Selective Flash
S4: Selective 15u"
S5: Selective 30u"

RoHS + PBT

M: Male
F: Female

2: 2 Row

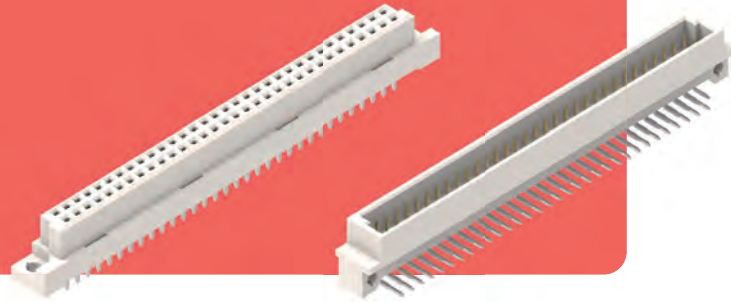
No. of Position

L: Long Type
S: Short Type

1: W/O Boardlock
2: With Boardlock

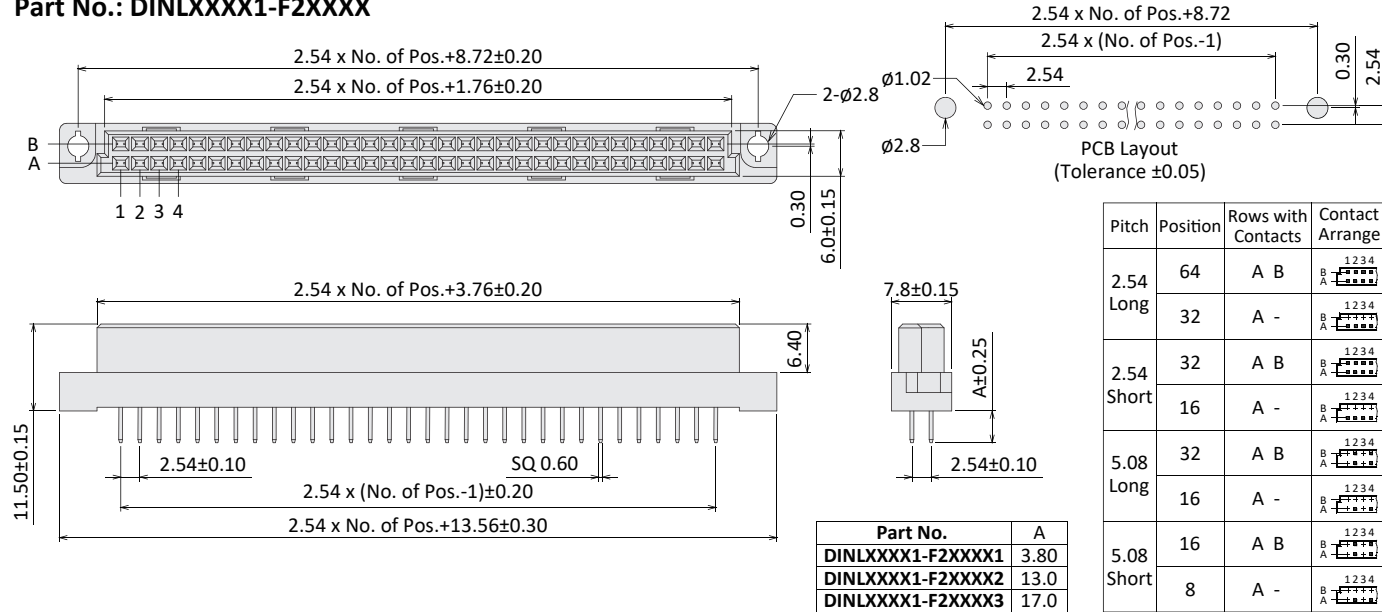
DIN 41612

Current Rate: 2.0A
 Dielectric Voltage: 1000V AC for one minute
 Insulation Resistance: 1000MΩ Min.
 Contact Resistance: 30mΩ Max.
 Material Contact: Copper Alloy, Gold / Tin
 Material Insulator: PBT, UL94V-0
 Operating Temperature: -40°C~+105°C



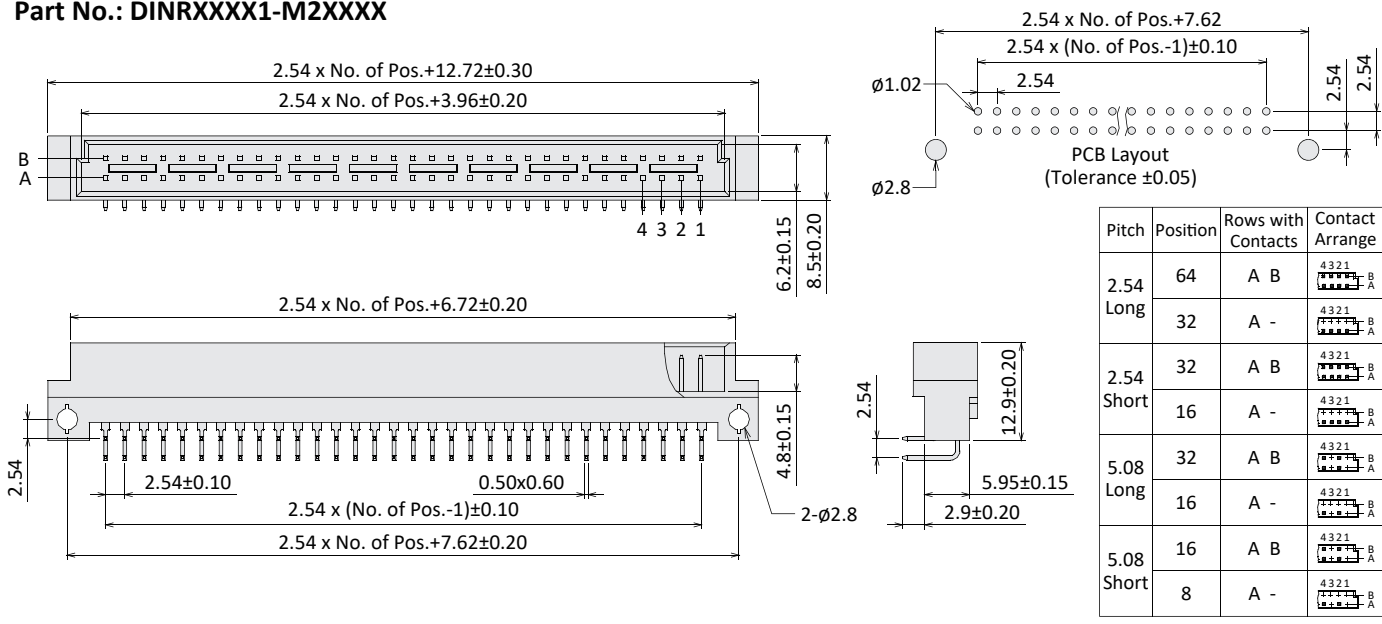
DIN 41612 Female 2 Row Vertical B Type

Part No.: DINLXXXX1-F2XXXX



DIN 41612 Male 2 Row Right Angle B Type

Part No.: DINRXXXX1-M2XXXX



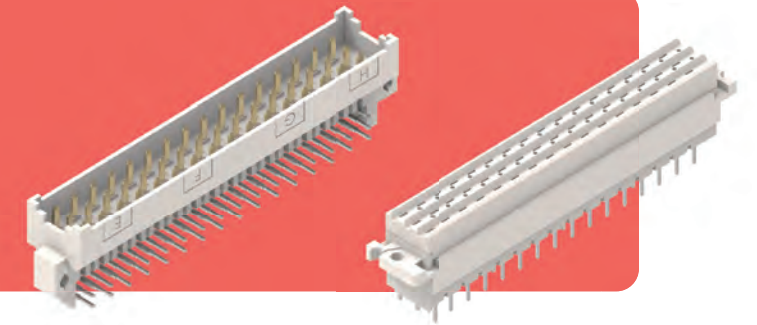
Order Information

DIN X XX XX 1 - X 2 XX X X

L: Vertical R: Right Angle
 25: 2.54mm 50: 5.08mm
 S0: Selective Flash S4: Selective 15u" S5: Selective 30u"
 RoHS + PBT F: Female M: Male
 2: 2 Row No. of Position
 L: Long Type S: Short Type
 1: W/O Boardlock 2: With Boardlock

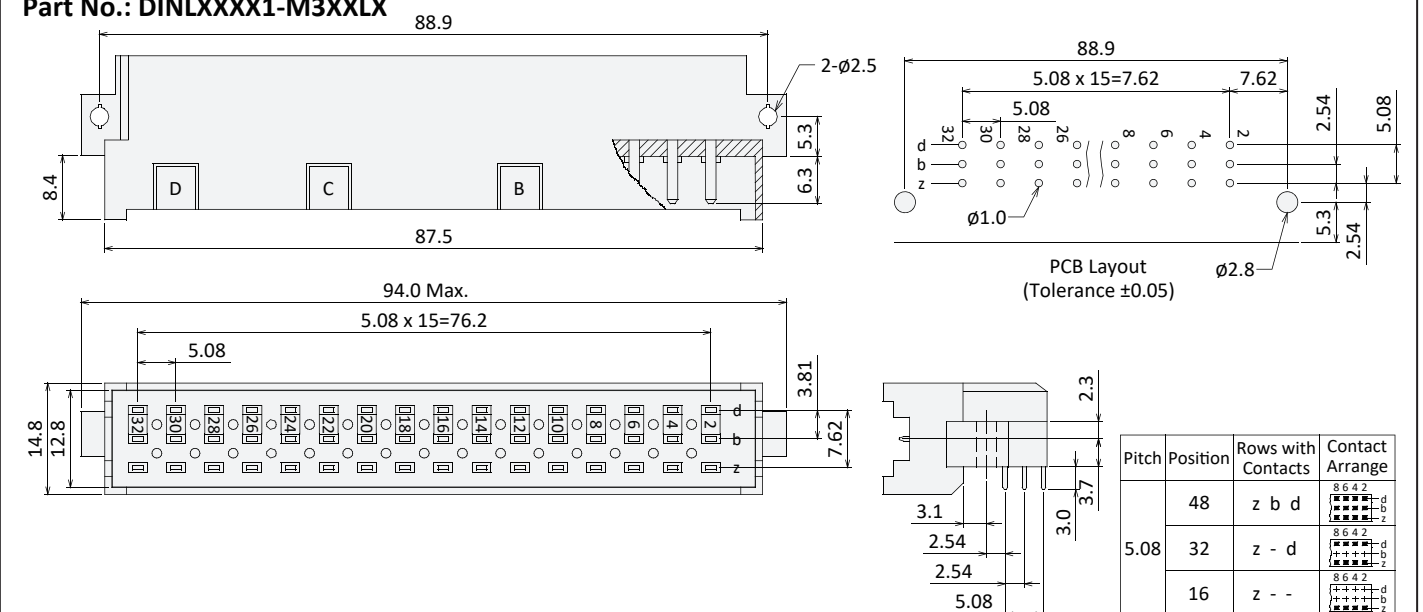
DIN 41612

Current Rate: 5.6A
 Dielectric Voltage: 1550V AC for one minute
 Insulation Resistance: 1000MΩ Min.
 Contact Resistance: 15mΩ Max.
 Material Contact: Copper Alloy, Gold / Tin
 Material Insulator: PBT, UL94V-0
 Operating Temperature: -55°C~+125°C



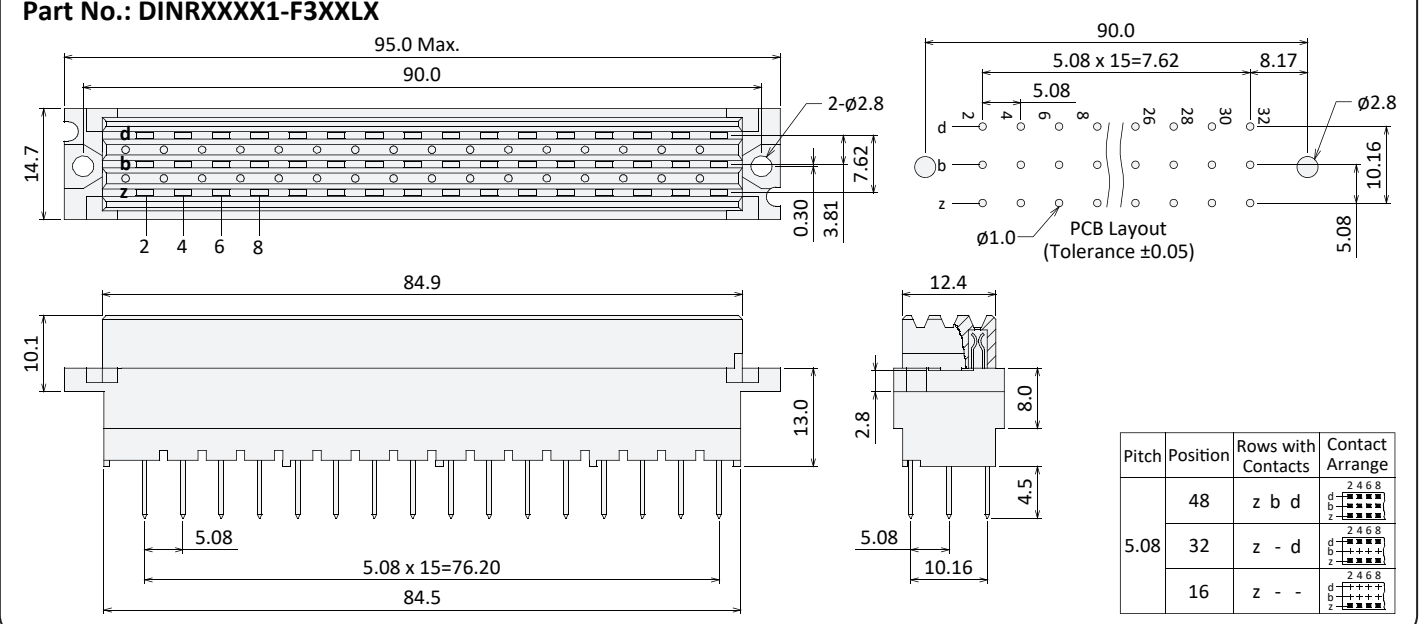
DIN 41612 Male 3 Row F Type

Part No.: DINLXXXX1-M3XXLX



DIN 41612 Female 3 Row F Type

Part No.: DINRXXXX1-F3XXLX



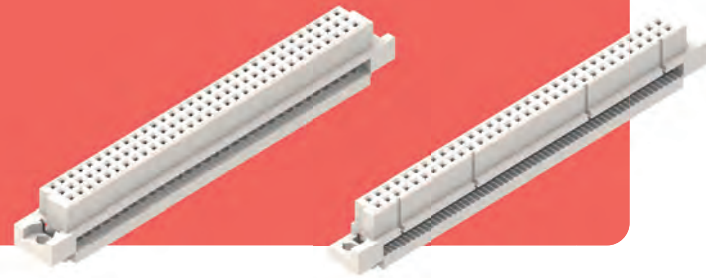
Order Information

DINF X 50 S0 1 - X 3 XX X X

R: Right Angle L: Straight
 50: 5.08mm Pitch S0: Selective Flash
 RoHS + PBT M: Male F: Female
 3: 3 Row No. of Position
 L: Long Type
 1: W/O Boardlock 2: With Boardlock

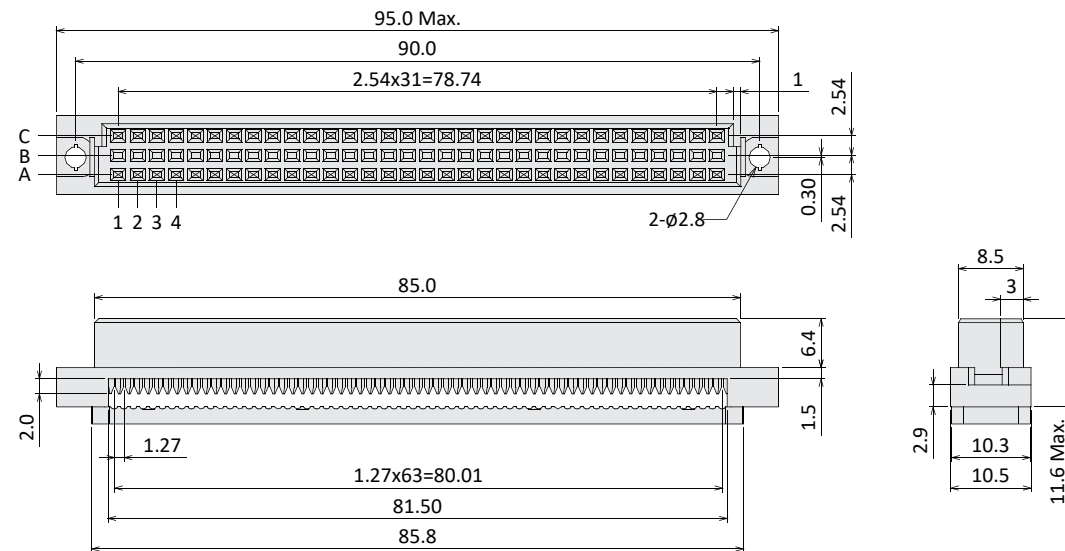
DIN 41612

Current Rate: 2.0A
 Dielectric Voltage: 1000V AC for one minute
 Insulation Resistance: 1000MΩ Min.
 Contact Resistance: 20mΩ Max.
 Material Contact: Copper Alloy, Gold / Tin
 Material Insulator: PBT, UL94V-0
 Operating Temperature: -55°C~+125°C



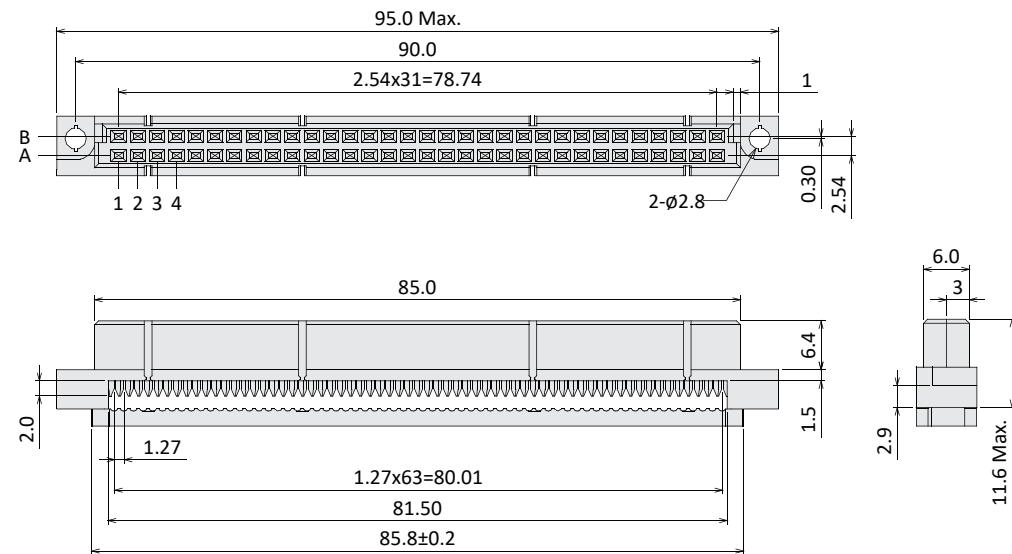
DIN 41612 Female 3 Row IDC Type

Part No.: DINLXXXX1-M3XXLX



DIN 41612 Female 2 Row IDC Type

Part No.: DINRXXXX1-F3XXLX



Order Information

DIN I 25 XX 1 - F X XX X

IDC Type
 Pitch 2.54mm
 S0: Selective Flash
 S4: Selective 15u"
 S5: Selective 30u"
 RoHS + PBT
 F: Female
 3: 3 Row
 2: 2 Row
 No. of Position
 64P, 32P
 L: Long Type